



"A Fine Tradition In Wood"

hmillworks.com

1937 Troup Valley Road

Mt. Pleasant Mills, PA 17853

570-539-2611 ∴ 800-326-9873

Fax 570-539-2379 ∴ 800-718-4463

FLOORING

SECTION 1A

INDEX

<u>Product</u>	<u>Page</u>	<u>EffectiveDate</u>	<u>Revised Date</u>
Heister House Nested Bundle Sizes.....	2	Feb. 8, 2012	Feb. 8, 2012
Heister House Grades of Flooring.....	2	Feb. 8, 2012	Feb. 8, 2012
Heister House Hardwood Flooring.....	3	Jan. 8, 2018	Nov. 30, 2017
Heister House Rustic Plank Flooring.....	4	Jan. 8, 2018	Nov. 30, 2017
Exotic Wood Flooring.....	4	Jan. 8, 2018	Nov. 30, 2017
Hardwood Flooring Feature Strips.....	5	Jan. 8, 2018	Nov. 30, 2017
Hardwood Flooring Mouldings.....	5	Jan. 8, 2018	Nov. 30, 2017
Wood Air Vents.....	6	Jan. 8, 2018	Nov. 30, 2017
Primatec Flooring Nails/Staples.....	7	Jan. 8, 2018	Nov. 30, 2017
Floor Router Bits.....	7	Jan. 8, 2018	Nov. 30, 2017
Flooring Rentals.....	8	Jan. 8, 2018	Nov. 30, 2017
Floor Sander Accessories.....	8	Jan. 8, 2018	Nov. 30, 2017
Floor Finishes.....	9	Jan. 8, 2018	Nov. 30, 2017
Floor Finishing Products.....	10	Jan. 8, 2018	Nov. 30, 2017
Residential and Commercial Floor Finishes.....	10	Jan. 8, 2018	Nov. 30, 2017
Polyurethane Floor Finishes.....	10	Jan. 8, 2018	Nov. 30, 2017
Hardwood Floor Cleaning Products.....	10	Jan. 8, 2018	Nov. 30, 2017

Manufacturers we can supply:

Primatec – Floor Nailers andStaplers

ClassicAire – www.classicvents.com

***Century** – www.centuryflooring.com

***Zickgraf** – www.zickgraf.com

CherryHill Manufacturing Corp. - www.cherryhillmfg.com

Superbee-U-Sand – www.u-sand.com

Basic Coatings – www.basiccoatings.com

Osh Kosh – www.oshkoshdesigns.com

Items that are on the above noted websites, but not on our price list, can be special ordered from the manufacturer. Please contact your Heister House sales representative for availability, pricing and to place your special order.

**Heister House is capable of supplying pre-finished flooring from a wide variety of suppliers. Please contact your sales representative with the brand, specie, grade and finish you need to obtain current prices.*

All prices subject to change without notice.



HEISTER HOUSE NESTED BUNDLE SIZES			
SIZE	BUNDLE LENGTH	MAX LENGTH	SQUARE FEET PER BUNDLE
2 ¼"	85"	88"	20
3 ¼"	89"	93"	24
4 ¼"	90"	93"	16
5 ¼"	91"	93"	20
6 ¼"	87"	90"	22.6
7 ¼"	87"	90"	22.4

GRADES OF FLOORING

	SELECT & BETTER	#1 COMMON	NATURAL	RUSTIC
Character Marks	Slight streaks, tight knots less than 1/8" in diameter, color variation between heartwood and sapwood	Heavy streaks, tight knots, scattered pinworm holes, mineral stains and natural color variation	Natural streaks, tight knots less than ¼" in diameter, natural color variation between heartwood and sapwood	Natural streaks, pinworm holes, some open character and fillable knots, natural color variation between heartwood and sapwood

About Heister House produced flooring:

Flooring is sold per square foot in full bundles.

Add the designated suffix after the item number to indicate the species of flooring you are ordering.

Many other species and custom widths are available. Call your Heister House Sales representative for availability and pricing.

Lumber availability may extend indicated lead times.

Flooring, as with any wood product, will acclimate to the environment it is installed and/or stored in. You should always acclimate unfinished flooring prior to installation.

Heister House makes no warranty on widths over 5 ¼".

Because of significant price fluctuations, contact your Heister House sales representative for current pricing.

All prices are subject to change without notice.



END MATCHED HARDWOOD FLOORING

SELECT & BETTER

	ITEM #	642	643	644	645
¾" X FACE WIDTH	SUFFIX OF ITEM #	2 ¼"	3 ¼"	4 ¼"	5 ¼"
RED OAK	99	S	S	S	S
WHITE OAK	WO	N/S	S	S	S
HARD MAPLE	HM	S	S	S	S
AMERICAN CHERRY	C	N/S	S	S	S
PLANTATION PINE CLEAR	66	S	S	S	S

We can also mill the following domestic species of wood:

White Birch (WB), Walnut (W)

Please call for availability, lead time and price.

#1 COMMON

	ITEM #	652	653	654	655
¾" X FACE WIDTH	SUFFIX OF ITEM #	2 ¼"	3 ¼"	4 ¼"	5 ¼"
RED OAK	99	S	S	S	S
WHITE OAK	WO	N/S	S	S	N/A

NATURAL

	ITEM #	642	643	644	645
¾" X FACE WIDTH	SUFFIX OF ITEM	2 ¼"	3 ¼"	4 ¼"	5 ¼"
HICKORY	H	N/S	N/S	S	N/S

Other species and custom widths are available. Call for availability and pricing.

Lumber availability may extend lead time.

Flooring is sold per square foot in full bundles. See page 2 for nested bundle sizes.

Allow two weeks lead time for non-stock items.



END MATCHED HARDWOOD FLOORING

RUSTIC PLANK FLOORING

ITEM #	SUFFIX	663	664	665	666
SPECIES	OF ITEM #	3 ¼"	4 ¼"	5 ¼"	6 ¼"
RED OAK	99	S	S	S	S
WHITE OAK	WO	S	S	S	S
AMERICAN CHERRY	C	S	S	S	N/S
HARD MAPLE	HM	S	S	S	N/S
KNOTTY PLANTATION PINE	KPP	N/S	N/S	N/S	N/S
KNOTTY EASTERN WHITE PINE**	KP	N/S	N/S	N/S	N/S
HICKORY	H	S	S	S	S
WALNUT	W	S	S	S	N/S

**Knotty Eastern White Pine is milled on the inch, not the ¼".

An additional 10% will be added to rustic flooring ordered in only one width.

Allow two weeks lead time for non-stock items.

EXOTIC WOODS-UNFINISHED FLOORING

ITEM #	DESCRIPTION	STATUS
BRAZILIAN CHERRY		
673BC	¾" X 3 ¼"	N/S
674BC	¾" X 4"	N/S
675BC	¾" X 5"	N/S
SANTOS MAHOGANY		
673SM	¾" X 3"	N/S
AUSTRALIAN CYPRESS		
672AC	¾" X 2 ¼"	N/S
673AC	¾" X 3 ¼"	N/S
674AC	¾" X 4"	N/S
675AC	¾" X 5"	N/S
676AC	¾" X 6"	N/S
677AC	¾" X 7"	N/S

Allow three weeks lead time for non-stock exotic items.



Flooring
 Section 1A – Page 5
 List Price
 Effective Date 1/08/18
 Revised Date 11/30/17

HARDWOOD FLOORING FEATURE STRIPS

¾" x WIDTH	1"		1 ½"		2 ¼"		3 ¼"	
SPECIES	ITEM #	STATUS	ITEM #	STATUS	ITEM #	STATUS	ITEM #	STATUS
WALNUT	FS1W	N/S	FS15W	N/S	FS2W	N/S	FS3W	N/S
MAPLE	FS1M	N/S	FS15M	N/S	FS2M	N/S	FS3M	N/S
BRAZILIAN CHERRY	FS1BC	N/S	FS15BC	N/S	FS2BC	N/S	FS3BC	N/S
PURPLE HEART	FS1PH	N/S	FS15PH	N/S	FS2PH	N/S	FS3PH	N/S
BLOODWOOD	FS1BW	N/S	FS15BW	N/S	FS2BW	N/S	FS3BW	N/S

HARDWOOD FLOORING MOULDINGS

	TRANSITION STRIP		BABY THRESHOLD		REDUCER STRIP		T-MOULDING	
DESCRIPTON	5/8" x 2" W/ 3/16" OFFSET		11/16" x 2" W / 3/4" x 1 1/4" RABBET		¾" x 2 ¼" W/ ¼" GROOVE		5/8" x 2"	
SPECIES	ITEM #	STATUS	ITEM #	STATUS	ITEM #	STATUS	ITEM #	STATUS
RED OAK	TS99	S	BT99	S	RS99	S	TM99	S
WHITE OAK	TSWO	S	BTWO	S	RSWO	S	TMWO	S
MAPLE	TSM	N/S	BTM	N/S	RSM	N/S	TMM	S
CHERRY	TSC	S	BTC	S	RSC	S	TMC	N/S
HICKORY	TSH	N/S	BTH	N/S	RSH	N/S	TMH	N/S

BASE SHOE w/ back bevel

½" x ¾"					
SPECIES	ITEM #	STATUS	SPECIES	ITEM #	STATUS
POPLAR	12677	S	CHERRY	126C	S
PLANTATION PINE	12666	S	HICKORY	126H	S
RED OAK	12699	S	MAPLE	126M	S
WHITE OAK	126WO	S			
AUSTRALIAN CYPRESS	126AC	N/S	BRAZILIAN CHERRY	126BC	N/S

QUARTER ROUND w/ back bevel

SIZE	½" x ½"		¾" x ¾"	
SPECIES	ITEM #	STATUS	ITEM #	STATUS
PLANTATION PINE	108B66	N/A	105B66	N/S
POPLAR	108B77	N/A	105B77	N/A
RED OAK	108B99	N/A	105B99	N/A

Feature strips and accessories are sold per lineal foot.

The shaded cells indicate that the item is a non-stock item. Allow four weeks for these items.



WOOD AIR VENTS

ITEM #	DESCRIPTION	SIZE	RED OAK (RO)	WHITE OAK (WO)	HICKORY (H)	MAPLE (M)	CHERRY (C)
SAG2X10	Frame Flush with Frame	2 ¼" x 10"	S	S	S	N/S	S
SAG2X12	Frame Flush with Frame	2 ¼" x 12"	S	S	S	N/S	S
SAG4X10	Frame Flush with Frame	4" x 10"	S	S	S	N/S	S
SAG4X12	Frame Flush with Frame	4" x 12"	S	S	S	N/S	S
SAGSR2X10	Self Rim	2 ¼" x 10"	N/A	N/A	N/A	N/A	N/A
SAGSR2X12	Self Rim	2 ¼" x 12"	N/A	N/A	N/A	N/A	N/A
SAGSR4X10	Self Rim	4" x 10"	N/A	N/A	N/A	N/A	N/A
SAGSR4X12	Self Rim	4" x 12"	N/A	N/A	N/A	N/A	N/A

Custom vents can be made for your project.

- See enclosed literature for ordering information.
- Please allow four weeks for production and delivery of custom made vents.

The shaded cells indicate this item is a non-stock item. Please allow 3 weeks for delivery.



PRIMATEC FLOORING NAILS			
ITEM #	DESCRIPTION	QUANTITY	STATUS
15LN1	1 ½" L-cleat Flooring Nail	Box of 1,000	S
2LN1	2" L-cleat Flooring Nail	Box of 1,000	S
2LN5	2" L-cleat Flooring Nail	Box of 5,000	S
2LN25	2" L-cleat Flooring Nail	Box of 25,000	S
2TN1	2" T-cleat Flooring Nail	Box of 1,000	S
2LSSN1	2" Stainless Steel L-cleat Flooring Nail	Box of 1,000	S

PRIMATEC FLOORING STAPLES			
ITEM #	DESCRIPTION	QUANTITY	STATUS
2S66	2" x ½" Crown Flooring Staples – 15 ½ gauge	Box of 7,700	S

These flooring nails and staples are compatible with all other makes of flooring nailers that use the *same size fastener*.

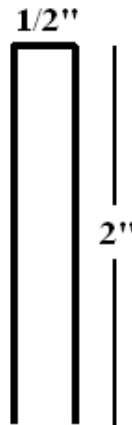
FLOORING ROUTER BIT		
ITEM #	DESCRIPTION	STATUS
6FRB	Clark Floor Rabbit Under Cutter	S



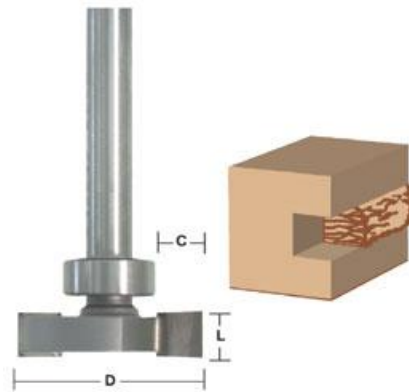
L Flooring Nail



T Flooring Nail



Flooring Staple



Router Bit



FLOORING RENTALS

ITEM #	DESCRIPTION	STATUS
DDFSD	Dirt Dragon Floor Scrubber-Rental per Day	S
DDFSW	Dirt Dragon Floor Scrubber-Rental per Week	S
NG(#)	Nail Gun Rental per Day	N/A
US110D	U-SAND 110 Model-Rental per Day	S
US110W	U-SAND 110 Model-Rental per Week	S
PRO110D	U-SAND PRO110 Model-Rental per Day	S
PRO110W	U-SAND PRO110 Model-Rental per Week	S
SB220D	SUPERBEE 220 Model-Rental per Day	S
SB220W	SUPERBEE 220 Model-Rental per Week	S
MVACS	Pro-Team Mega Vac Rental w/Sander Rental	S
MVAC	Pro-Team Mega Vac Rental per Day	S

Please call our flooring consultant to confirm availability and/or reserve use of above.

FLOOR SANDER ACCESSORIES

SANDPAPER

ITEM #	GRIT	PER PIECE
6AB36	36 GRIT	S
6AB40	40 GRIT	S
6AB60	60 GRIT	S
6AB80	80 GRIT	S
6AB100	100 GRIT	S
6AB120	120 GRIT	S

BUFFING PADS

ITEM#	DESCRIPTION	STATUS
BP4PK	BUFFING PADS-4 PER PACK	N/A
BP4PKAD	BUFFING PADS-4 PER PACK W/ ADAPTER	N/A
BP4PKBU	BACK-UP BUFFING PAD	N/A
BP6	BACK-UP PAD	S

We are also dealers for the Superbee and U-sand machines and accessories. If you would like to purchase one of these sanders, please call our flooring consultant for pricing.

The shaded list prices indicate the item is non-stock item. Please allow 3 weeks for delivery.



Flooring
 Section 1A – Page 9
 List Price
 Effective Date 1/08/18
 Revised Date 11/30/17

FLOOR FINISHES

ITEM #	DESCRIPTION	SIZE	STATUS
DSQN	DuraSeal Quick Coat Stain #102 Nutmeg	Quart	S
DSQCN	DuraSeal Quick Coat Stain #104 Chestnut	Quart	S
DSQP	DuraSeal Quick Coat Stain #111 Provincial	Quart	S
DSQE	DuraSeal Quick Coat Stain #131 Ebony	Quart	S
DSQC	DuraSeal Quick Coat Stain #135 Cherry	Quart	S
DSQJ	DuraSeal Quick Coat Stain #175 Jacobean	Quart	S
DSQRM	DuraSeal Quick Coat Stain #108 Royal Mahogany	Quart	S
DSQGO	DuraSeal Quick Coat Stain #112 Golden Oak	Quart	S
DSQGB	DuraSeal Quick Coat Stain #121 Golden Brown	Quart	S
DSQSW	DuraSeal Quick Coat Stain #124 Special Walnut	Quart	S
DSQEA	DuraSeal Quick Coat Stain #130 Early American	Quart	S
DSQEC	DuraSeal Quick Coat Stain #133 English Chestnut	Quart	S
DSQSB	DuraSeal Quick Coat Stain #137 Spice Brown	Quart	N/S
DSQCB	DuraSeal Quick Coat Stain #123 Coffee Brown	Quart	S
DSQSR	DuraSeal Quick Coat Stain #143 Sedona Red	Quart	S
DSQFW	DuraSeal Quick Coat Stain #141 Fruitwood	Quart	S
DSQGP	DuraSeal Quick Coat Stain #145 Golden Pecan	Quart	S
DSQGS	DuraSeal Quick Coat Stain #150 Gunstock	Quart	S
DSQDW	DuraSeal Quick Coat Stain #171 Dark Walnut	Quart	S
DSQRW	DuraSeal Quick Coat Stain #139 Rosewood	Quart	S

The shaded list prices indicate the item is non-stock item. Please allow 2 weeks for delivery



FLOOR FINISHING PRODUCTS

ITEM #	DESCRIPTION	SIZE	STATUS
LNS	Lock-n-Seal Wood Floor Sealer	Gallon	S
DTE	Basic Dry Time Extender	Gallon	N/S
TBA	Tykote Dustless Re-Coat Bonding Agent	Gallon	N/S
IFT	Intensified Floor Treatment	Gallon	S
AMB	Amberizer Additive	Quart	N/S
WFC	Glitsa Wood Flour Cement	Gallon	S
FA	18" Basic Finish Applicator	Each	S
FARP	18" Basic Finish Applicator Refill Pads	Each	S
LQRS	Lenmar Rapid Seal	Quart	S

RESIDENTIAL & COMMERCIAL FLOOR FINISHES

ITEM #	DESCRIPTION	SIZE	GLOSS	SEMI-GLOSS	SATIN	SUPER MATTE
SS	StreetShoe NXT, XL Water Based Urethane	Gallon	S	S	S	N/S
EM	Emulsion, Water Based, Amber Color Urethane	Gallon	S	S	S	N/S
BCPM	Pure Matte, Water Based, with XL catalyst	Gallon	MATTE FINISH			N/A

POLYURETHANE FLOOR FINISHING PRODUCTS

ITEM #	DESCRIPTION	SIZE	GLOSS	SEMI-GLOSS	SATIN
DSPQ	Dura Seal Polyurethane	Quart	S	S	S
LPQ	Lenmar Polyurethane	Quart	S	S	S

HARDWOOD FLOOR CLEANING PRODUCTS

ITEM #	DESCRIPTION	SIZE	STATUS
SCFCS	Squeaky Clean Floor Care System	N/A	S
SCRTU	Squeaky Clean Floor Cleaner Ready-to-Use	32 ozs.	S
SCCON	Squeaky Clean Commercial Concentrate	1 gallon	S
SCCON5	Squeaky Clean Commercial Concentrate	5 gallon	N/S

Call our flooring consultant for recommendations and/or questions about applications or use of any of the above products.

The shaded cell indicates the item is non-stock item. Please allow 2 weeks for delivery.



SCFCS
 Contents:
 Microfiber Cleaning Pad
 32oz Squeaky Spray
 Swivel-head mop and pole
From Basic Coatings